

TITLE

Self Hold Single Point Control Circuit  
 自保持單控點控制電路

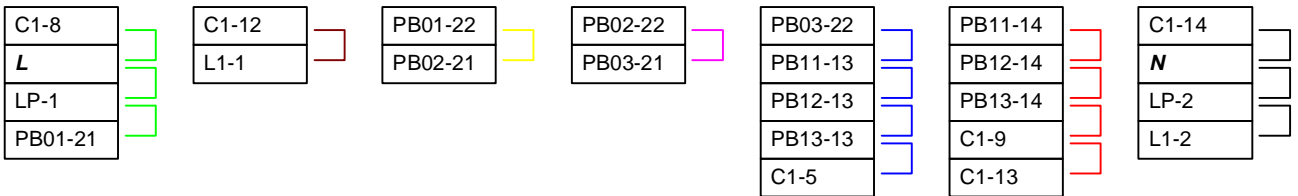
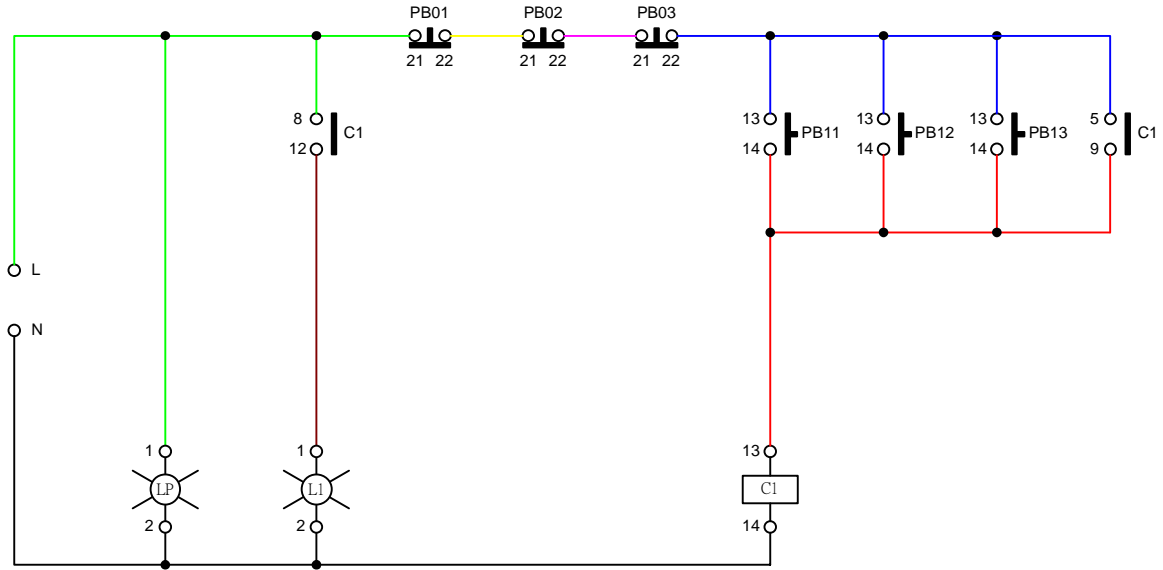
TITLE

Basic Control 1.vsd

DRAWING NO  
 SHSPCC

DRAWN BY  
 K.S.Mak

(用選擇掣模擬)



TITLE

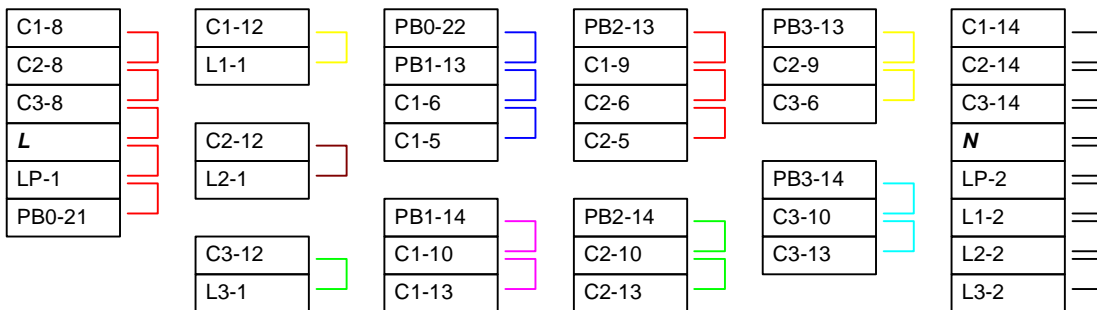
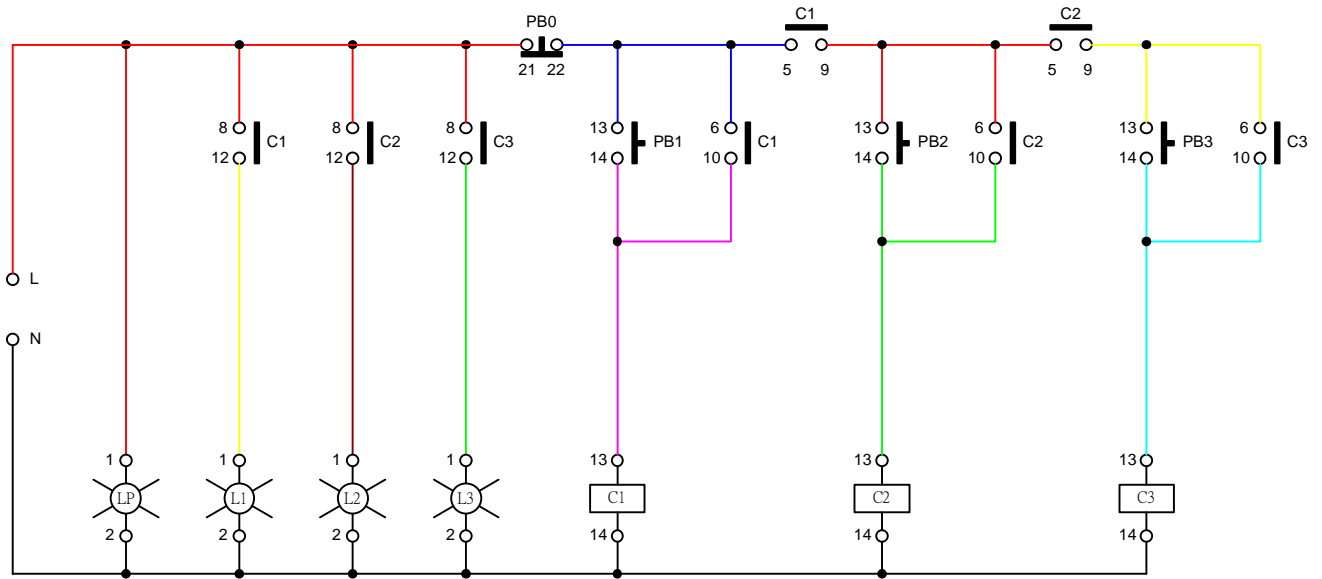
Self Hold Multi Points Control Circuit  
 自保持多控點控制電路

TITLE

Basic Control 1.vsd

DRAWING NO  
SHMPCC

DRAWN BY  
K.S.Mak



TITLE

Step By Step Control Circuit  
 步進式控制電路

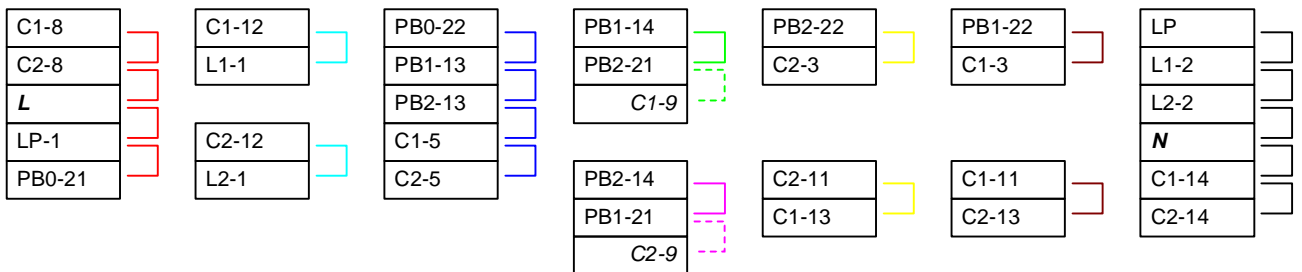
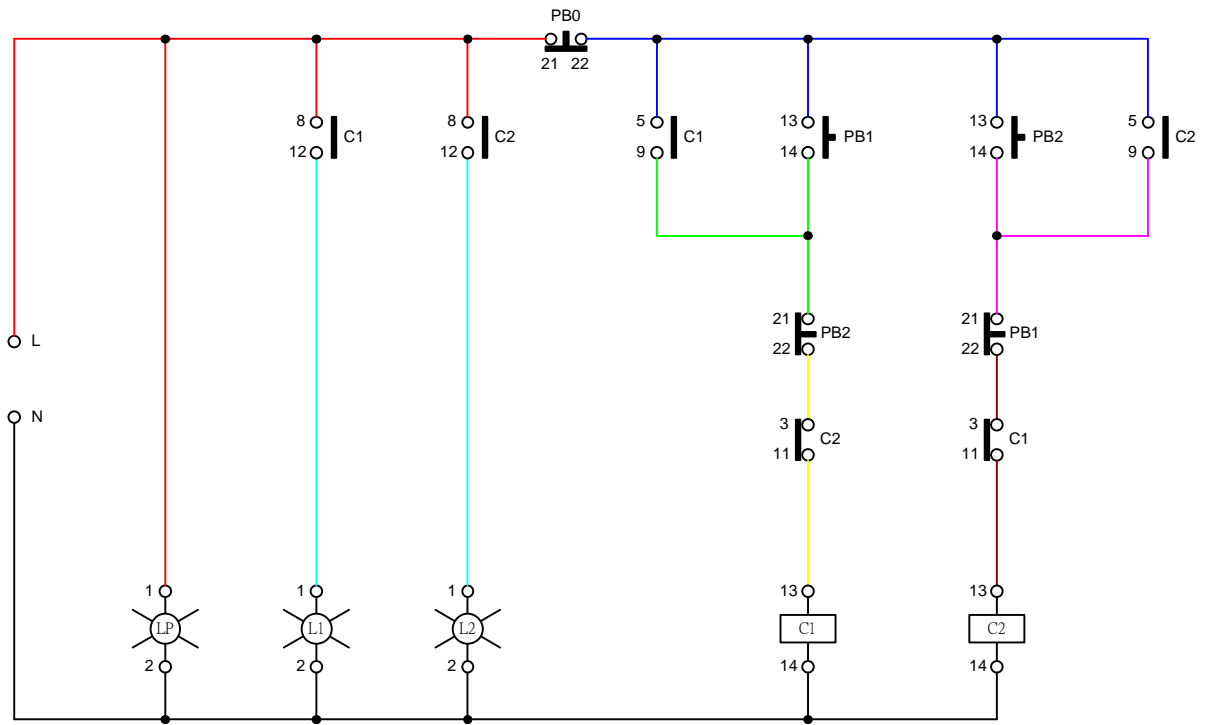
TITLE

Basic Control 1.vsd

DRAWING NO  
 SBYCC

DRAWN BY  
 K.S.Mak

Hong Kong Institute of Vocational Education (Haking Wong)  
 香港專業教育學院(黃克競分校)



TITLE

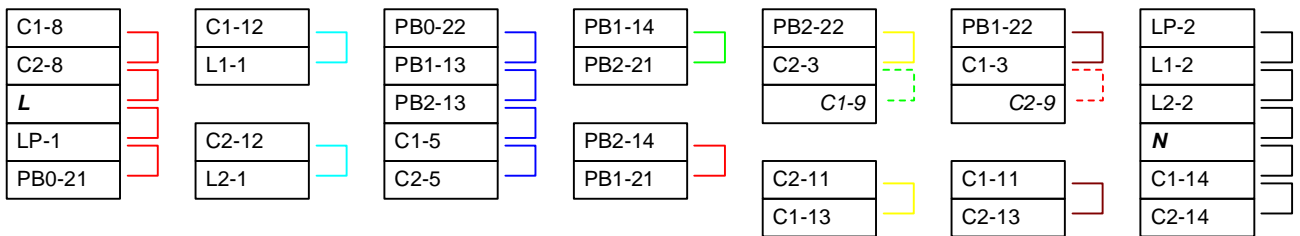
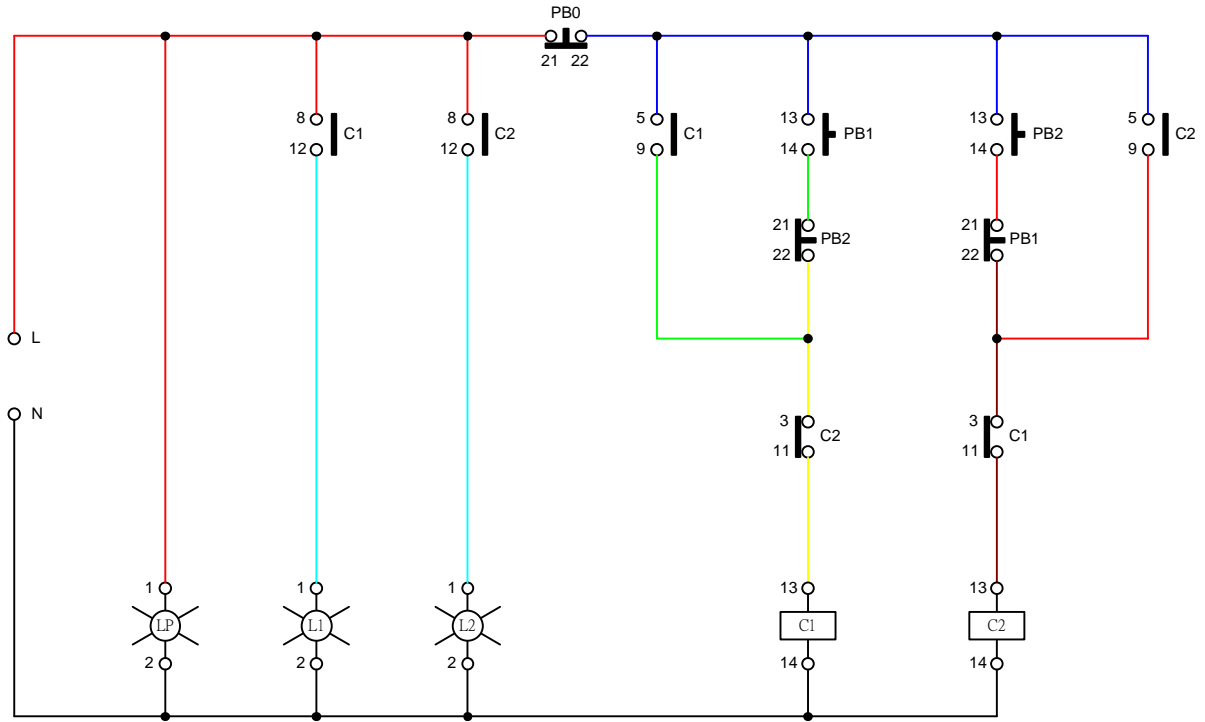
Forward & Reverse Interlock Control Circuit 1 (Reversible)  
 前後車互鎖控制電路 1 (即轉)

TITLE

Basic Control 1.vsd

DRAWING NO  
F&RICC1

DRAWN BY  
K.S.Mak



TITLE

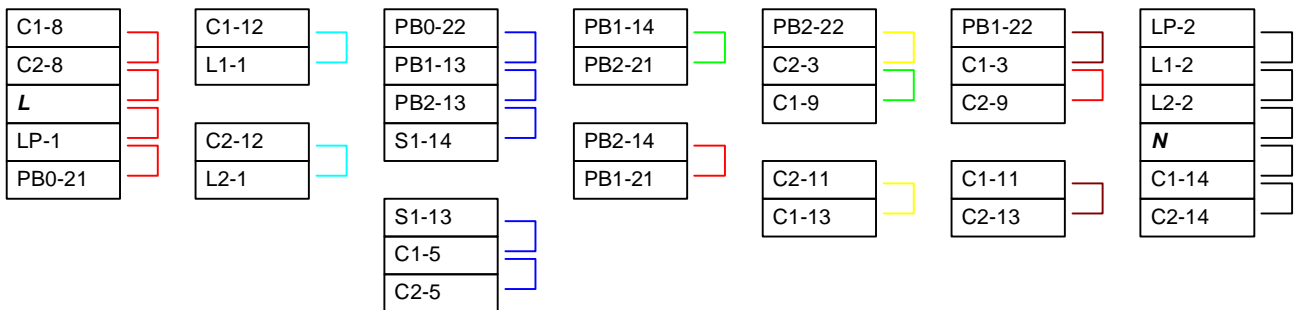
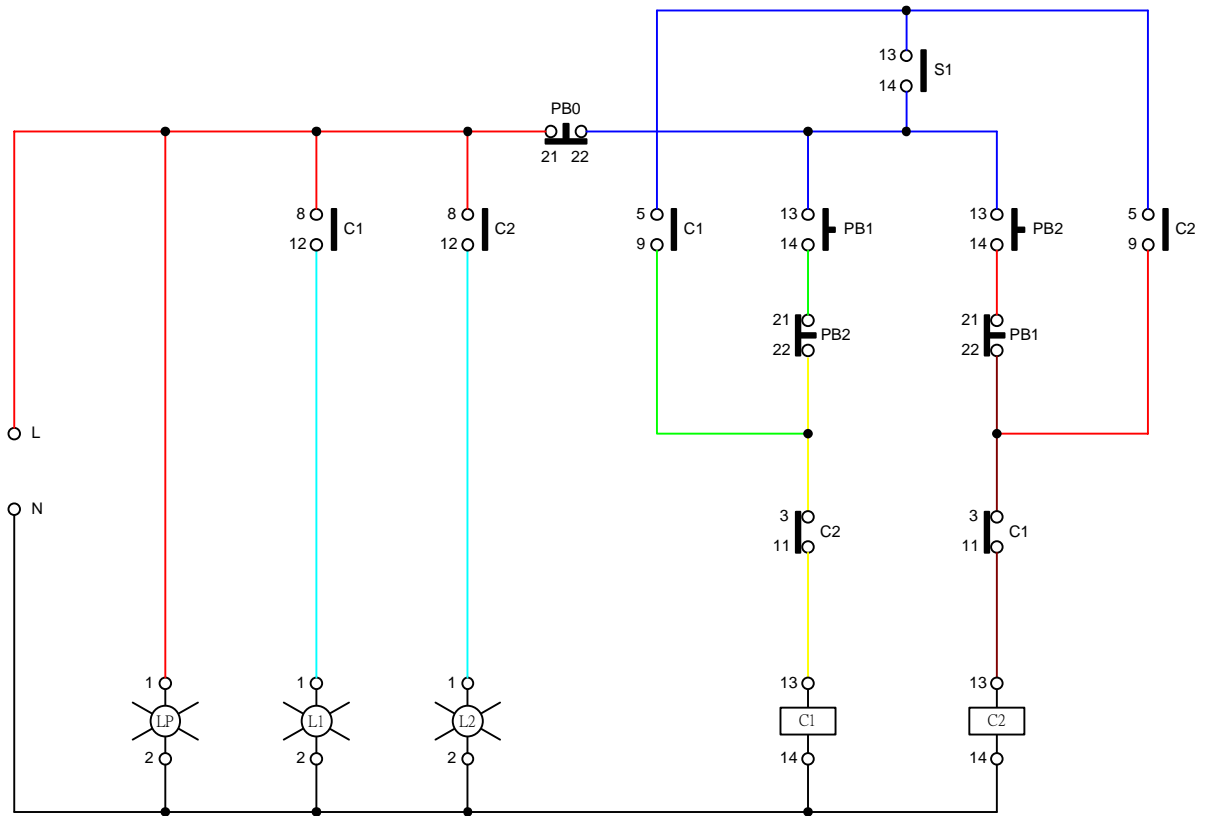
Forward & Reverse Interlock Control Circuit 2  
 前後車互鎖控制電路 2

TITLE

Basic Control 1.vsd

DRAWING NO  
F&RICC2

DRAWN BY  
K.S.Mak



TITLE

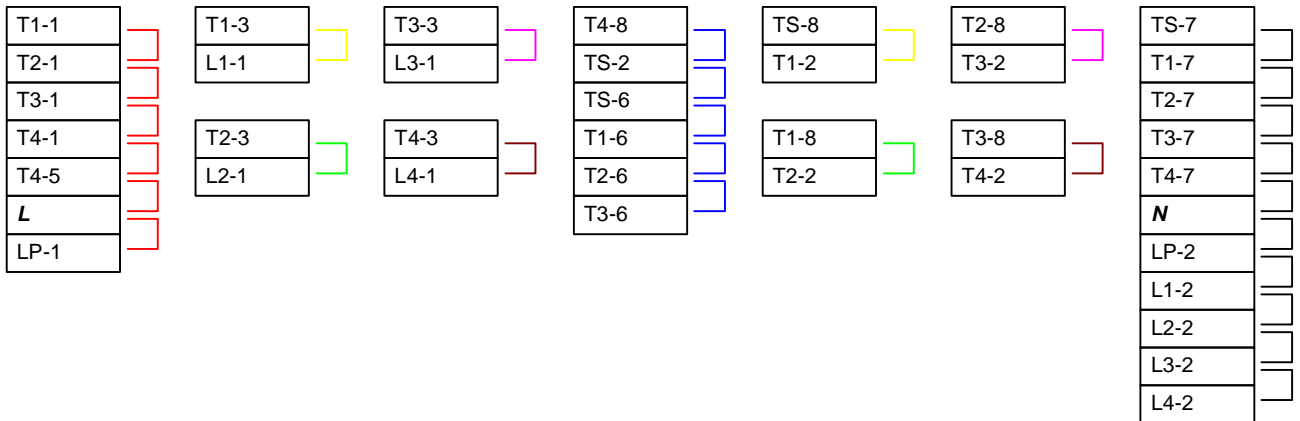
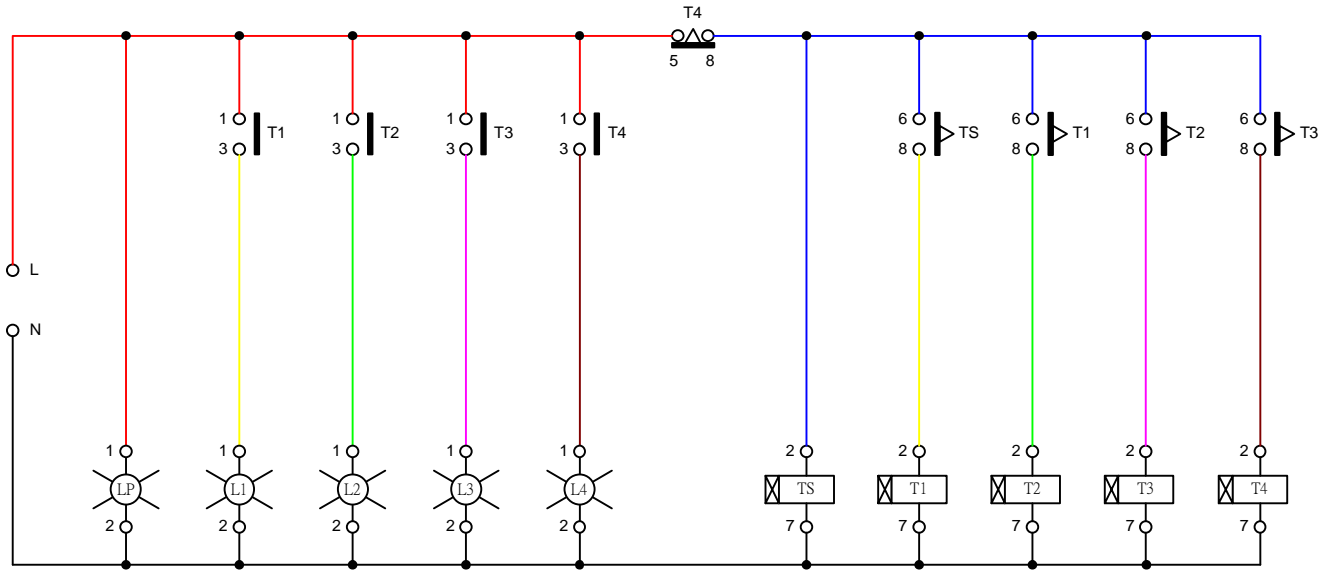
Forward & Reverse Interlock Inching Control Circuit  
 前後車互鎖寸動控制電路

TITLE

Basic Control 1.vsd

DRAWING NO  
F&RIICC

DRAWN BY  
K.S.Mak



TITLE

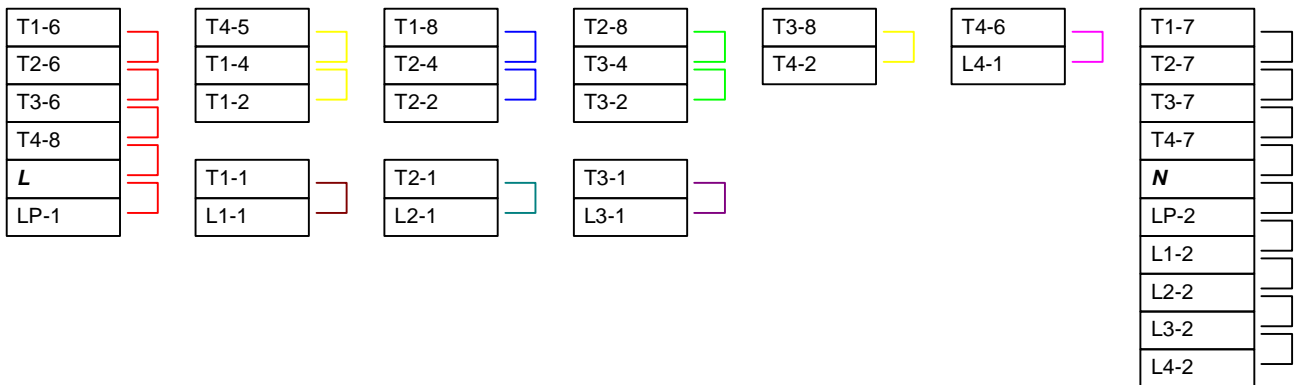
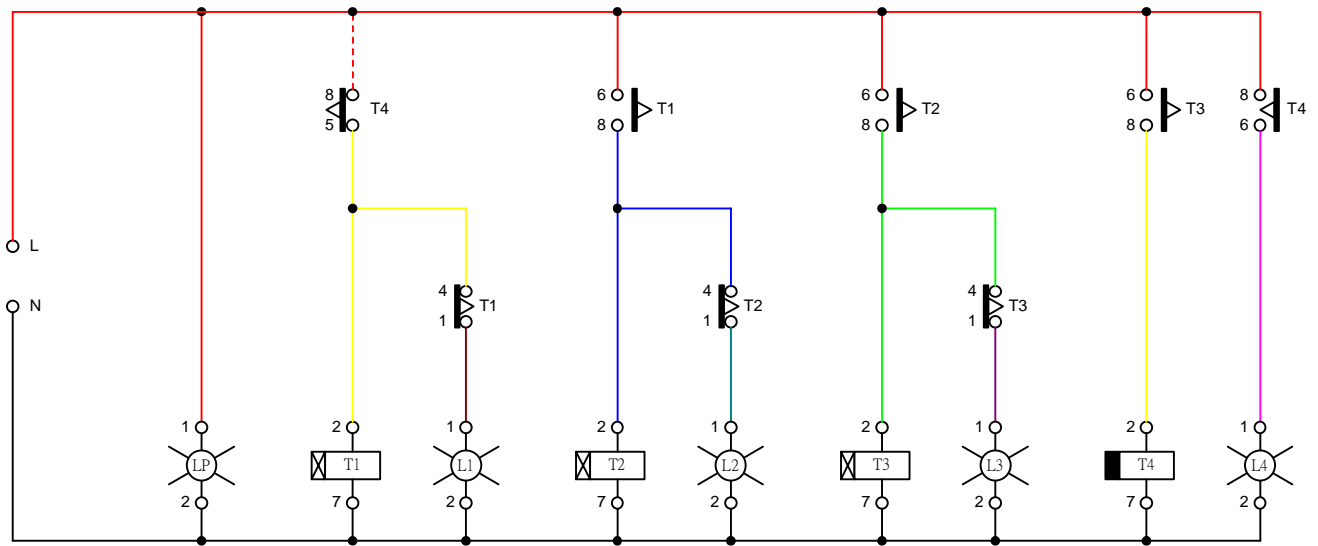
Step By Step Lighting Control Circuit 1  
 順序燈控制電路 1

TITLE

Basic Control 1.vsd

DRAWING NO  
 SBSLCC1

DRAWN BY  
 K.S.Mak



TITLE

Step By Step Lighting Control Circuit 2  
 順序燈控制電路 2

TITLE

Basic Control 1.vsd

DRAWING NO  
 SBYLCC2

DRAWN BY  
 K.S.Mak